

# MENSA HEATING®

MAKES YOU WANT TO STAY



## Vireoo

Professional

Season Extender

Specification Sheet

# Vireoo - Professional for cafe's and restaurants

## **Vireoo - Professional**

Vireoo – Professional is our eco-friendly outdoor heater developed and designed specifically for cafes and restaurants. Because our element is integrated into the base of the table soothing heat radiates into the toes and up through the rest of the body for longer, more comfortable stays.

## **Eco-friendly warmth creates longer outdoor seasons**

Vireoo is Latin for 'I am green', which is no coincidence as our product truly is the most eco-friendly outdoor heater on the market.

Not only does Vireoo produce a fraction of the CO2 traditional heaters emit but, with its built-in motion sensors, the heater only engages when someone's actually occupying the table, so you won't needlessly pour money into thin air.

Furthermore, Vireoo's table integrated design means you can get rid of your old cumbersome heaters and use the extra space for more happy customers.

## **Lightning fast returns on investment**

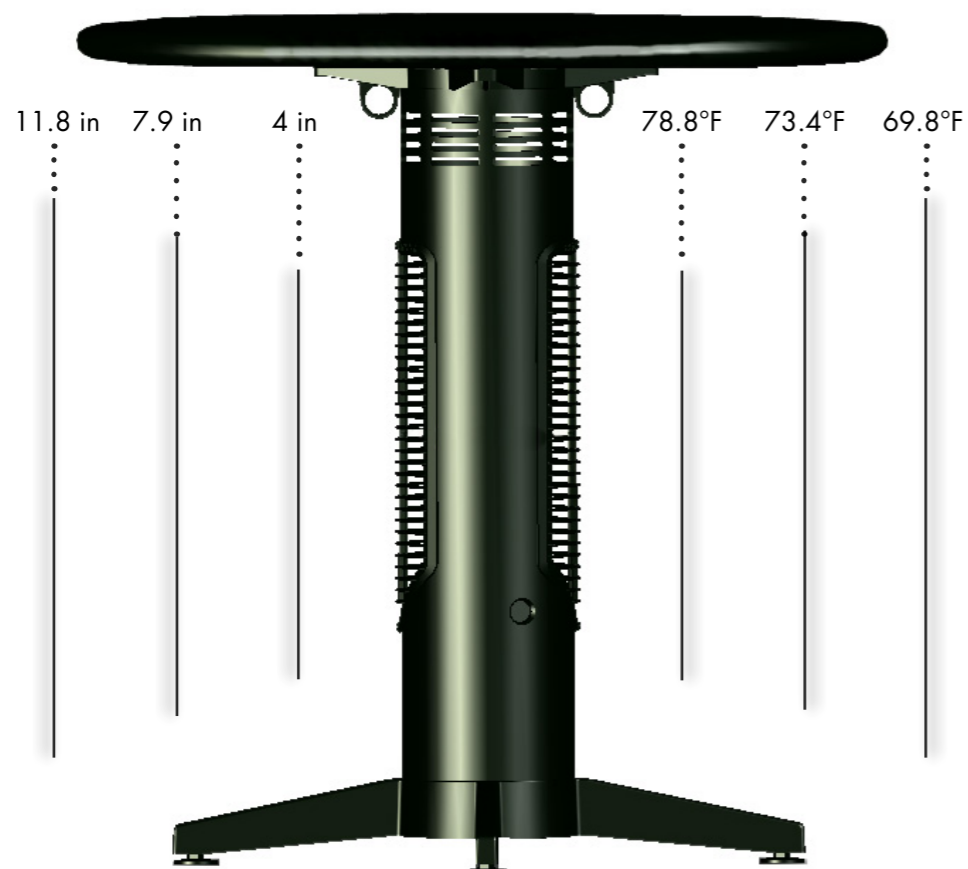
Vireoo's technology reduces operating costs so dramatically you'll feel it immediately. By switching to Vireoo from a traditional gas heater you'll reduce your running costs several times over,





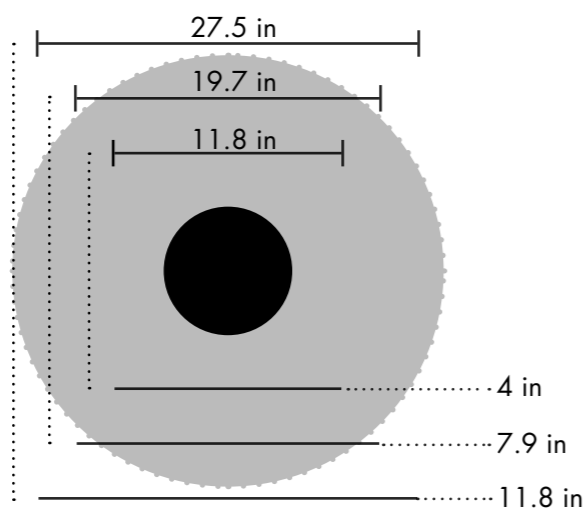
### Heat Radiation - 400 watt

Measurements in, windless conditions with a surrounding temperature of 61.7°F



### Heat spread of Vireoo

Top = heat spread / bottom = distance from heater



### Specifications - Vireoo Professional

#### - Design

Mikael Mammen

#### - Description

Vireoo Cafe table with integrated electrical powered infrared heat. Intended to extend your outdoor season from spring to fall. Vireoo Professional is fitted with sensors, an On/Off switch, Aluminium feet and high temperature plastic tube (heat protective) Available in Chrome, black and white

#### - Heat specification

Vireoo is designed to heat 2 persons sitting on each side of the table, using a 400 watt short wave infrared heating bulb. The bulb is placed inside the leg of Vireoo, in a aluminium bipolar lamp house shielded by protective glass.

#### - Motion Sensor

Vireoo Professional is fitted with motion sensors, which turns the product on/off when people are sitting/leaving the table. The Motion sensor run on a 3-minute cycles.

#### - On/Off switch

Placed on the side of the table leg (1)

#### - Heat protective grid

The grid in front of the heating lamp, is designed to be safe to touch (2)

#### - Adjustable feet

Fitted with adjustable feet (3), which levels out the table when placed on uneven ground

#### - Ventilation holes

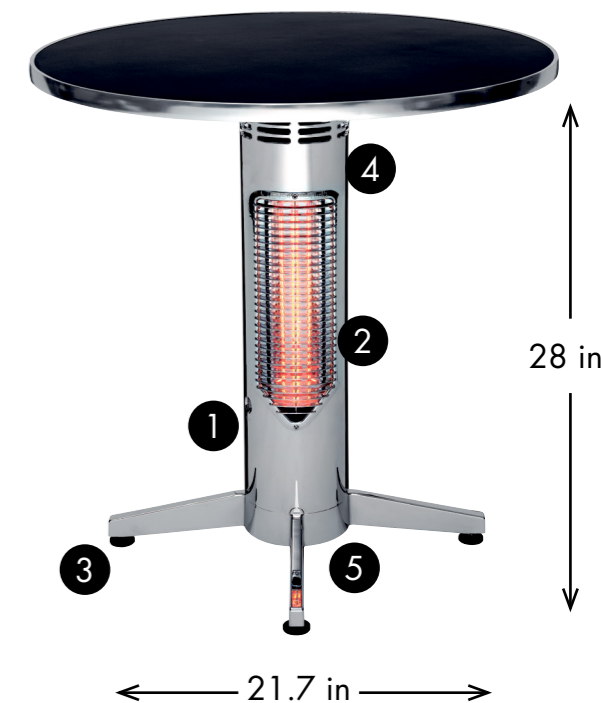
In the top of Vireoo (4) there are ventilation holes which keep Vireoo cool when in use.

#### - Serial Connection

Serial connection of up to 4 tables, on a single power outlet, by using serial connector plugs in the bottom of Vireoo (5). The power plugs/serial plugs are connected as shown below



When plugs are connected, they are watertight, when plugs are not connected the protective caps must be on.



#### - Weight

17.6 lbs without tabletop

#### - Measurements

28 in X 21.7 in

#### - Power consumption

400 watt

#### - Bulb Rated lifetime

5-7000 hours

#### - Surface finish

Chrome (foot/tube/grill)  
Colors Powdercoated (foot) full dyed plastic (tube) Chrome (grill)

#### - IP Rating

IPX4

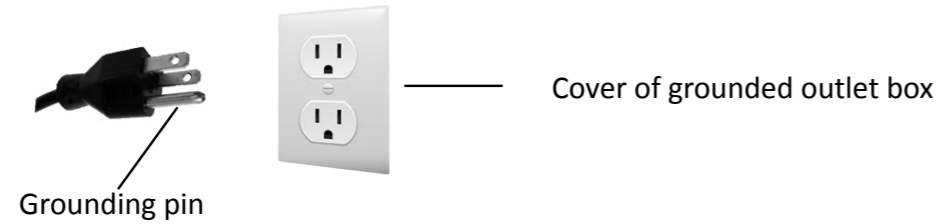


**- Power Supply**

Vireoo is powered with 110-120V ~ AC 60 HZ

**- Power outlet requirements**

Mensa Heating's products must be connected to a power outlet with ground (GND)



**- Cables**

Vireoo Professional uses special cables enabling it to be serial connected

**Serial Cable**



**Power Cable**



**Cable protector**



**- Cable Protectors**

To ensure that people don't accidentally trip over the cables, cable protectors can be used

**- Tabletops**

Vireoo can be fitted with most kinds of tabletops following these guidelines

- Maximum size 28x28 in / Ø28 in
- Maximum weight 55 lbs
- Resistant to heat minimum 176°F (bottom side against top bracket, warm air)



**- Important instructions / Warning**

Read all instructions before using this heater

- Keep combustible materials like furniture, pillows, papers, clothes away from the heater
- To disconnect heater, turn controls to off, then remove plug from outlet.
- Always unplug heater when not in use
- To prevent a possible fire, do not block air intakes or exhaust in any manner. Do not use on soft surfaces, like a bed, where openings may become blocked. (2),(4),(5)
- Do not use with a tablecloth that extends more than 2 inches over the table edge.
- Do not place bags or other objects in such a way that they block the grid. (2)
- Do not insert or allow foreign objects to enter any ventilation or exhaust opening as this may cause an electric shock or fire, or damage the heater. (2),(4)
- Connect the product only to outlets with ground.
- This appliance is not intended for use by persons (including children) with reduced physical, sensory or mental capacity unless they are supervised and instructed by a person who is responsible for their safety.
- Do not place the heater directly below a power outlet
- This heater is not intended for use in bathrooms, laundry areas and similar indoor locations. Never locate heater where it may fall into a bathtub or other water container.
- Do not operate heater with a damaged cord or plug or after the heater malfunctions, has been dropped or damaged in any manner. Discard heater, or return to authorized service facility for examination and/or repair if this occurs
- Do not run cord under carpeting. Do not cover cord with throw rugs, runner, or similar covering. Do not route cord under furniture or appliances. Arrange cord away from traffic areas.
- Do not use it in areas where gasoline, paint, or flammable liquids are used or stored
- Always plug heater directly into a wall outlet/receptacle. Never use with an extension cord or relocatable power tab (outlet/power strip)
- This heater includes a visual alarm to warn that parts of the heater are getting excessively hot. If the alarm flashes, immediately turn the heater off and inspect for any objects on or adjacent to the heater that may cause high temperatures. **DO NOT OPERATE THE HEATER WHEN ALARM FLASHES.**
- Never connect more than four tables in series
- Power inlet and outlet should always be closed with plugs or protective caps
- Use this heater only as described in this manual. Any other use not recommended by manufacturer may cause fire, electric shock, or injury to persons.